

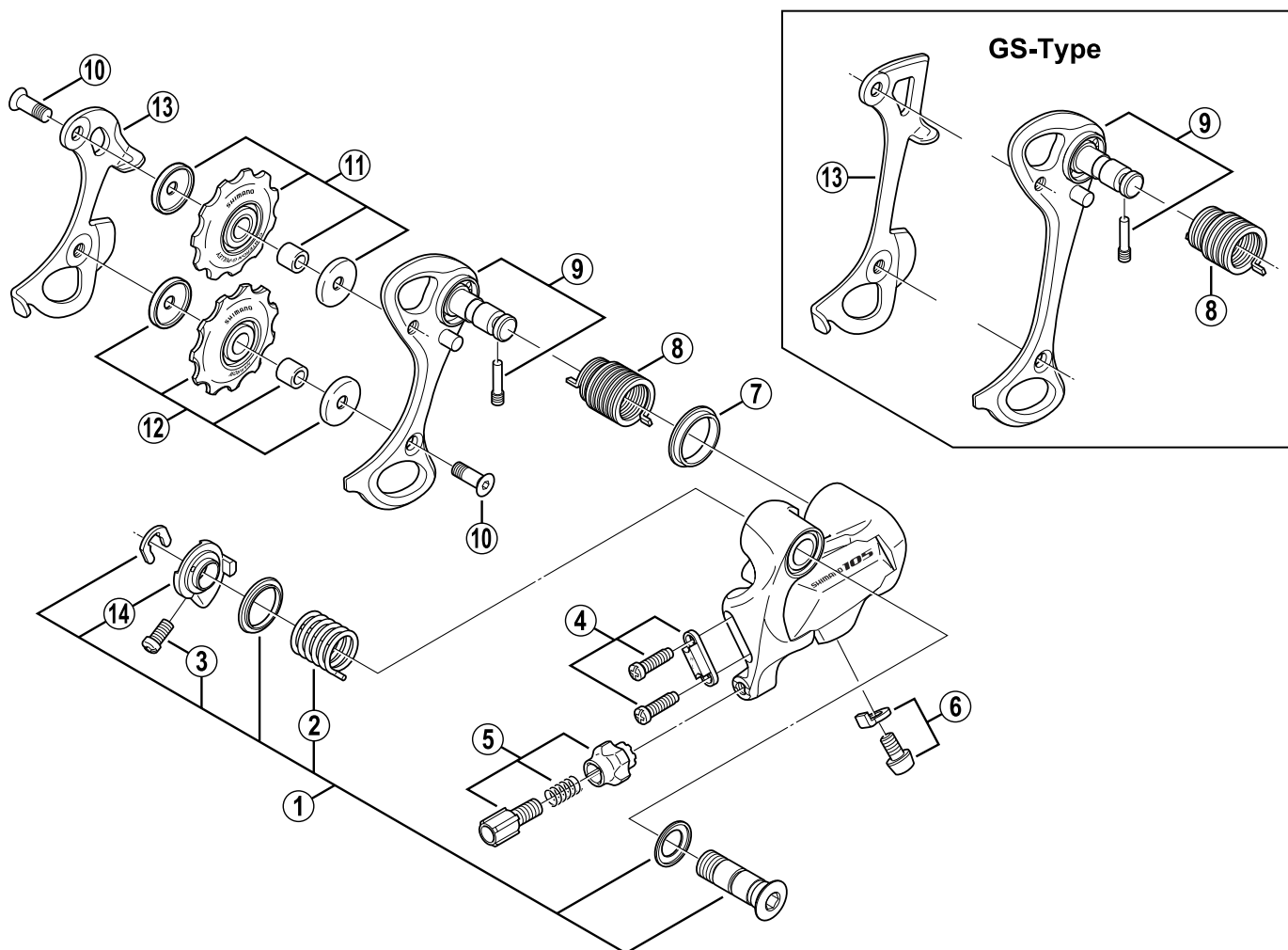
## SHIMANO 105 Rear Derailleur (9-Speed)

**RD-5501-S (SS)** Silver Version / Short Cage

**RD-5501-L (SS)** Black Version / Short Cage

**RD-5501-S (GS)** Silver Version / Long Cage

**RD-5501-L (GS)** Black Version / Long Cage



Q'TY	ITEM NO.	SHIMANO CODE NO.	DESCRIPTION
	1	Y-5TK 98010	B-Axle Assembly
	2	Y-5TJ 27000	B-Tension Spring
	3	Y-511 05010	B-Tension Adjusting Screw (M4 x 10)
	4	Y-5TK 98020	Stroke Adjusting Screws (M4 x 14.5) & Plate
	5	Y-5TJ 98030	Cable Adjusting Bolt Unit
	6	Y-5TD 98010	Cable Fixing Bolt (M5 x 8.5) & Plate
	7	Y-5UC 14000	P-Seal Ring
	8	Y-5UC 12100	P-Tension Spring (SS-Type)
		Y-53Z 16000	P-Tension Spring (GS-Type)
	9	Y-5TK 98030	Outer Plate Assembly (SS-Type/Silver) for RD-5501-S
		Y-5U2 98010	Outer Plate Assembly (SS-Type/Black) for RD-5501-L
		Y-5TK 98040	Outer Plate Assembly (GS-Type/Silver) for RD-5501-S
		Y-5U2 98020	Outer Plate Assembly (GS-Type/Black) for RD-5501-L
	10	Y-53M 24000	Pulley Bolt
	11	Y-5UN98060	Guide Pulley Unit
	12	Y-5UN98070	Tension Pulley Unit
	13	Y-53Z 08000	Inner Plate (SS-Type)
		Y-53Z 09000	Inner Plate (GS-Type)
	* 14	Y-5TJ 25300	Stopper Plate